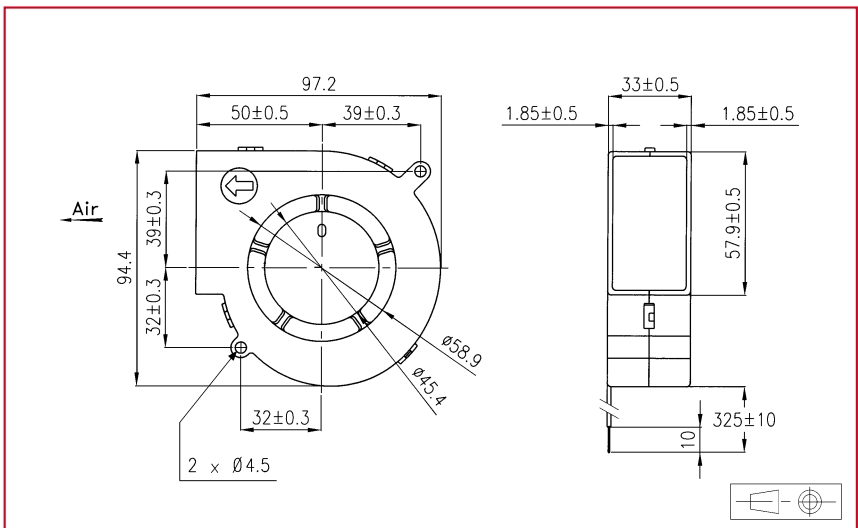




97,2 x 94,4 x 33 mm



Approvals

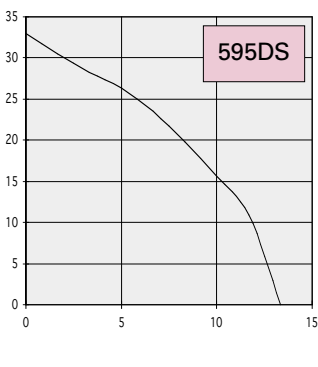
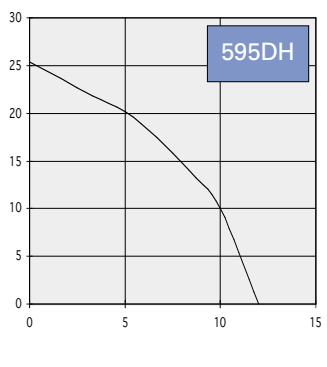
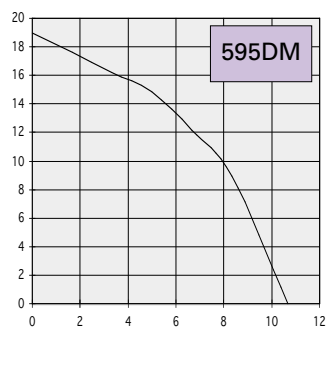
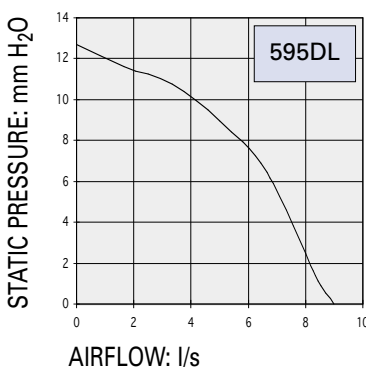


Life expectancy

L-10 LIFE AT 40°C:
25 000 hours

Brushless DC Motor
 Electrical protection: impedance protected
 Housing material: plastic UL 94 VO
 Impeller material: plastic UL 94 VO
 Weight: 160 g

Available with:
 - speed sensor
 - alarm



Part number	Nominal voltage	Airflow	Noise level	Nominal speed	Input power	Voltage range	Bearing system		Connection type		Operating temperature	
	V	l/s	dB(A)	RPM	W	V	Ball	Sleeve	Leads	Terminals	Min. °C	Max. °C
595DL1LP11000	12	9,0	45	2700	3,8	(4-13,8)	X		X		- 10	60
595DL2LP11000	24	9,0	45	2700	3,8	(7-27,6)	X		X		- 10	60
595DM1LP11000	12	10,7	49	3200	6,8	(4-13,8)	X		X		- 10	60
595DM2LP11000	24	10,7	49	3200	6,2	(7-27,6)	X		X		- 10	60
595DH1LP11000	12	12,0	52	3600	9,6	(4-13,8)	X		X		- 10	60
595DH2LP11000	24	12,0	52	3600	9,6	(7-27,6)	X		X		- 10	60
595DS1LP11000	12	13,3	55	4000	13,2	(4-13,8)	X		X		- 10	60
595DS2LP11000	24	13,3	55	4000	13,2	(7-27,6)	X		X		- 10	60